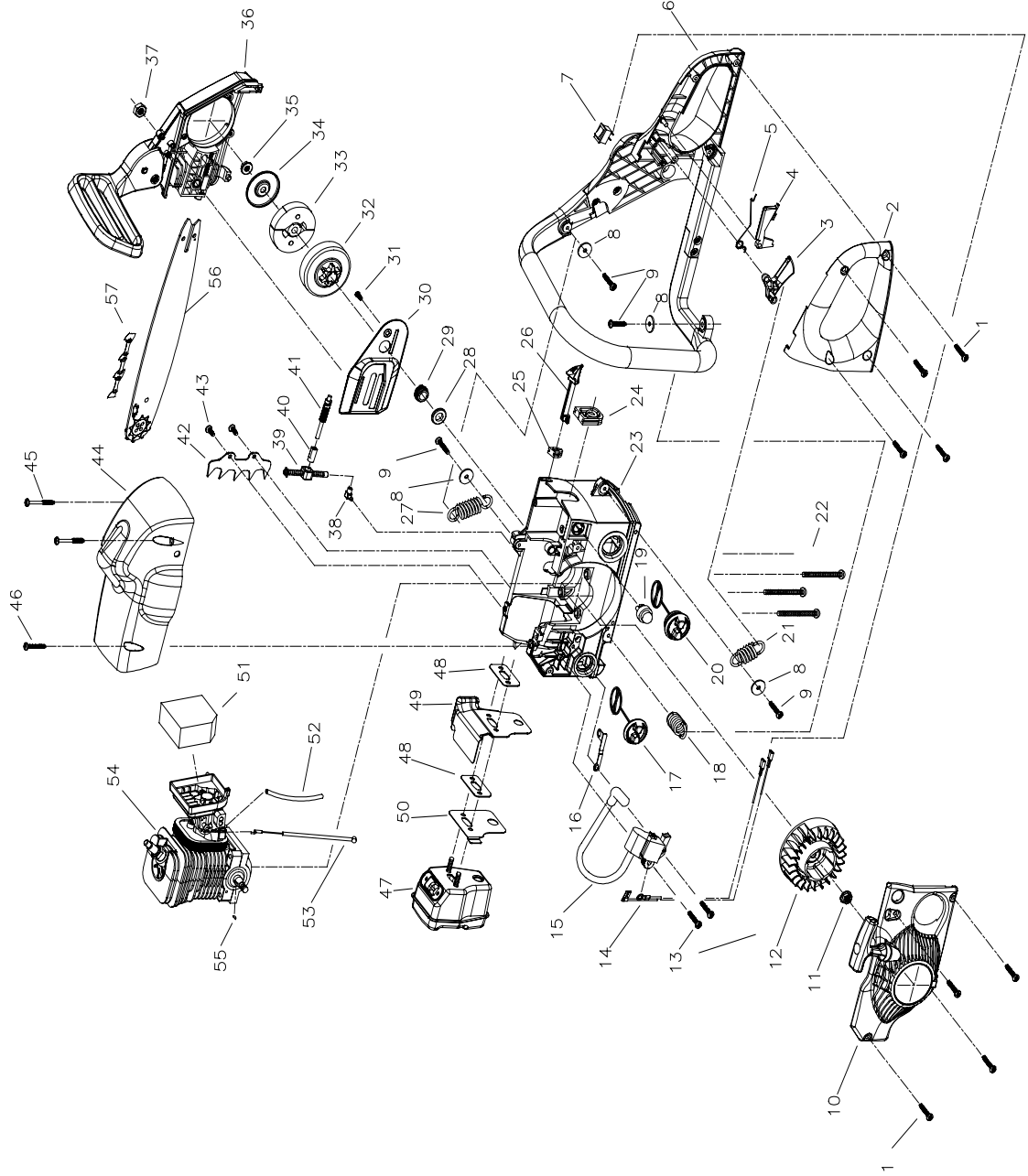


MOTOSEGA

CHAIN SAW

Mod. AC310518 (42 c.c.)

LISTA PARTI DI RICAMBIO
SPARE PARTS LIST



| No. | Part. No. | Qty |
|-----|------------------|-----|
| 1 | 9SGKBY1014-0.625 | 8 |
| 2 | 9068-310501 | 1 |
| 3 | 9028-310502 | 1 |
| 4 | 9028-310501 | 1 |
| 5 | 9024-310504 | 1 |
| 6 | 9228-310513 | 1 |
| 7 | 9022-310501 | 1 |
| 8 | 9WFB-05-21 | 4 |
| 9 | 9SKBY816-0.625 | 4 |
| 10 | 9228-310502 | 1 |
| 11 | 9NAB-5/16-24 | 1 |
| 12 | 9169-310501 | 1 |
| 13 | 9SKBY816-0.75 | 2 |
| 14 | 9010-310503 | 1 |
| 15 | 9288-310501-CH | 1 |
| 16 | 9051-310501 | 1 |
| 17 | 9228-310207 | 1 |
| 18 | 9228-310514 | 1 |
| 19 | 9142-310002 | 1 |
| 20 | 9228-310206 | 1 |
| 21 | 9024-310506 | 1 |
| 22 | 9SFA8106-55 | 4 |
| 23 | 9228-310511 | 1 |
| 24 | 9012-310503 | 1 |
| 25 | 9012-310504 | 1 |
| 26 | 9114-310501 | 1 |
| 27 | 9024-310507 | 1 |
| 28 | 9157-310507 | 1 |
| 29 | 9073-310503 | 1 |

LIST 1

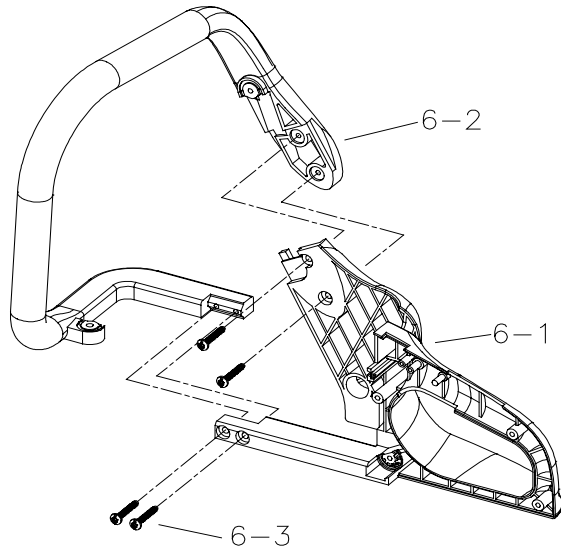
| No. | Part. No. | Qty |
|-----|-------------------|-----|
| 1 | 9040-310501 (14") | 1 |
| 2 | 9040-310502 (16") | 1 |
| 3 | 9040-310503 (18") | 1 |

LIST 2

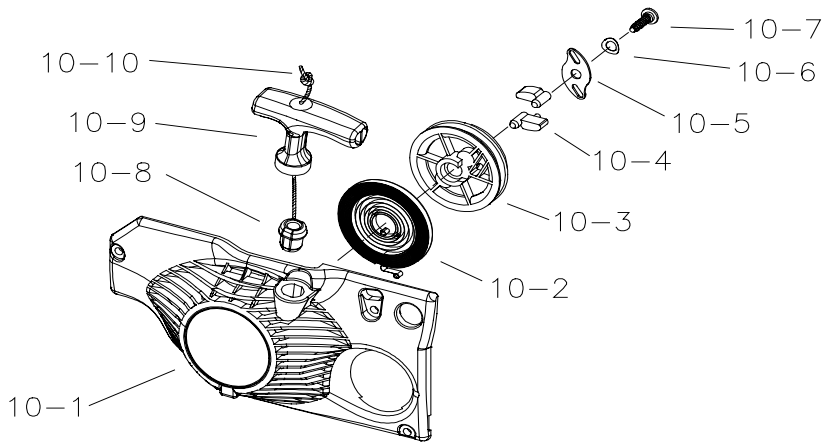
| No. | Part. No. | Qty |
|-----|--------------|-----|
| 30 | 9017-310508 | 1 |
| 31 | 6SDABB04-08 | 1 |
| 32 | 9228-310515 | 1 |
| 33 | 9228-310115 | 1 |
| 34 | 9077-310101 | 1 |
| 35 | 9NHC-5/16-24 | 1 |
| 36 | 9228-310501 | 1 |
| 37 | 9NAZ-5/16-18 | 1 |
| 38 | 9124-310102 | 1 |
| 39 | 9013-310501 | 1 |
| 40 | 9059-310504 | 1 |
| 41 | 9073-310502 | 1 |
| 42 | 9227-310501 | 1 |
| 43 | 9SKBY816-0.5 | 2 |
| 44 | 9017-310509 | 1 |
| 45 | 9SKBY816-1.4 | 2 |
| 46 | 9SKBY816-1.4 | 1 |
| 47 | 9228-310504 | 1 |
| 48 | 9082-310507 | 2 |
| 49 | 9082-310502 | 1 |
| 50 | 9082-310501 | 1 |
| 51 | 9252-310501 | 1 |
| 52 | 9129-310504 | 1 |
| 53 | 9010-310502 | 1 |
| 54 | 9228-310512 | 1 |
| 55 | 9221-310001 | 1 |
| 56 | LIST 1 | 1 |
| 57 | LIST 2 | 1 |

| No. | Part. No. | Qty |
|-----|--------------|-----|
| 30 | 9017-310508 | 1 |
| 31 | 6SDABB04-08 | 1 |
| 32 | 9228-310515 | 1 |
| 33 | 9228-310115 | 1 |
| 34 | 9077-310101 | 1 |
| 35 | 9NHC-5/16-24 | 1 |
| 36 | 9228-310501 | 1 |
| 37 | 9NAZ-5/16-18 | 1 |
| 38 | 9124-310102 | 1 |
| 39 | 9013-310501 | 1 |
| 40 | 9059-310504 | 1 |
| 41 | 9073-310502 | 1 |
| 42 | 9227-310501 | 1 |
| 43 | 9SKBY816-0.5 | 2 |
| 44 | 9017-310509 | 1 |
| 45 | 9SKBY816-1.4 | 2 |
| 46 | 9SKBY816-1.4 | 1 |
| 47 | 9228-310504 | 1 |
| 48 | 9082-310507 | 2 |
| 49 | 9082-310502 | 1 |
| 50 | 9082-310501 | 1 |
| 51 | 9252-310501 | 1 |
| 52 | 9129-310504 | 1 |
| 53 | 9010-310502 | 1 |
| 54 | 9228-310512 | 1 |
| 55 | 9221-310001 | 1 |
| 56 | LIST 1 | 1 |
| 57 | LIST 2 | 1 |

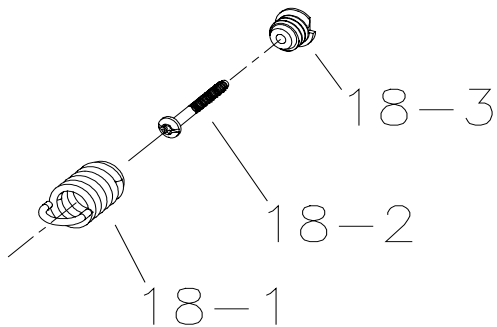
**LISTA PARTI DI RICAMBIO
SPARE PARTS LIST**



| No. | Parts No. | Q.ty |
|------------------|--------------------|----------|
| 6-1 | 9068-310502 | 1 |
| 6-2 | 9068-310503 | 1 |
| 6-3 | 9SKKBY10/14-0.68 | 4 |
| 6-1 ÷ 6-3 | 9228-310513 | 1 |

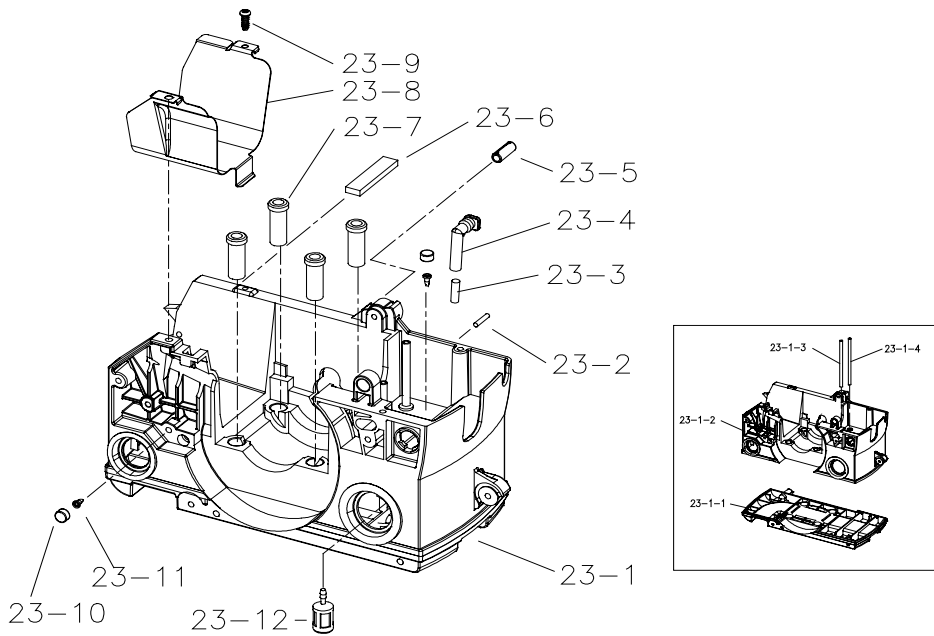


| No. | Parts No. | Q.ty |
|--------------|--------------------|----------|
| 10-1 | 9017-310502 | 1 |
| 10-2 | 9228-310503 | 1 |
| 10-3 | 9137-310501 | 1 |
| 10-4 | 9102-310501 | 2 |
| 10-5 | 9043-310501 | 1 |
| 10-6 | 9WWB-7 | 1 |
| 10-7 | 9SKKBB05-20 | 1 |
| 10-8 | 9059-310501 | 1 |
| 10-9 | 9196-310501 | 1 |
| 10-10 | 9194-310501 | 1 |
| 10-1 ÷ 10-10 | 9228-310502 | 1 |

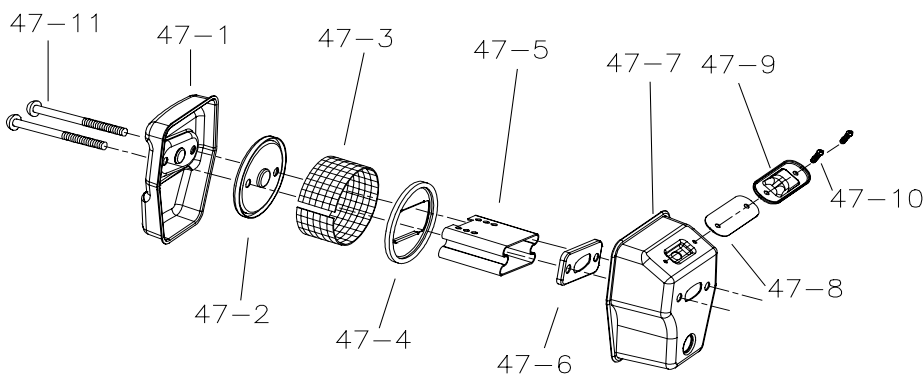


| No. | Parts No. | Q.ty |
|-------------|--------------------|----------|
| 18-1 | 9024-310505 | 1 |
| 18-2 | 9SKKBY8/16-1.4 | 1 |
| 18-3 | 9024-310201 | 1 |
| 18-1 ÷ 18-3 | 9228-310514 | 1 |

**LISTA PARTI DI RICAMBIO
SPARE PARTS LIST**



| No. | Parts No. | Q.ty |
|---------------------|--------------------|----------|
| 23-1 | 9228-310507 | 1 |
| 23-1-1 | 9064-310502 | 1 |
| 23-1-2 | 9064-310501 | 1 |
| 23-1-3 | 9129-310503 | 1 |
| 23-1-4 | 9129-310505 | 1 |
| 23-2 | 9111-310505 | 1 |
| 23-3 | 9182-310501 | 1 |
| 23-4 | 9012-310501 | 1 |
| 23-5 | 9PC-05-13 | 1 |
| 23-6 | 9055-310503 | 1 |
| 23-7 | 9148-310502 | 4 |
| 23-8 | 9082-310503 | 1 |
| 23-9 | 6SDABB04-08 | 1 |
| 23-10 | 9070-310301 | 2 |
| 23-11 | 9070-310001 | 2 |
| 23-12 | 9182-310001 | 1 |
| 23-1 ÷ 23-12 | 9228-310511 | 1 |



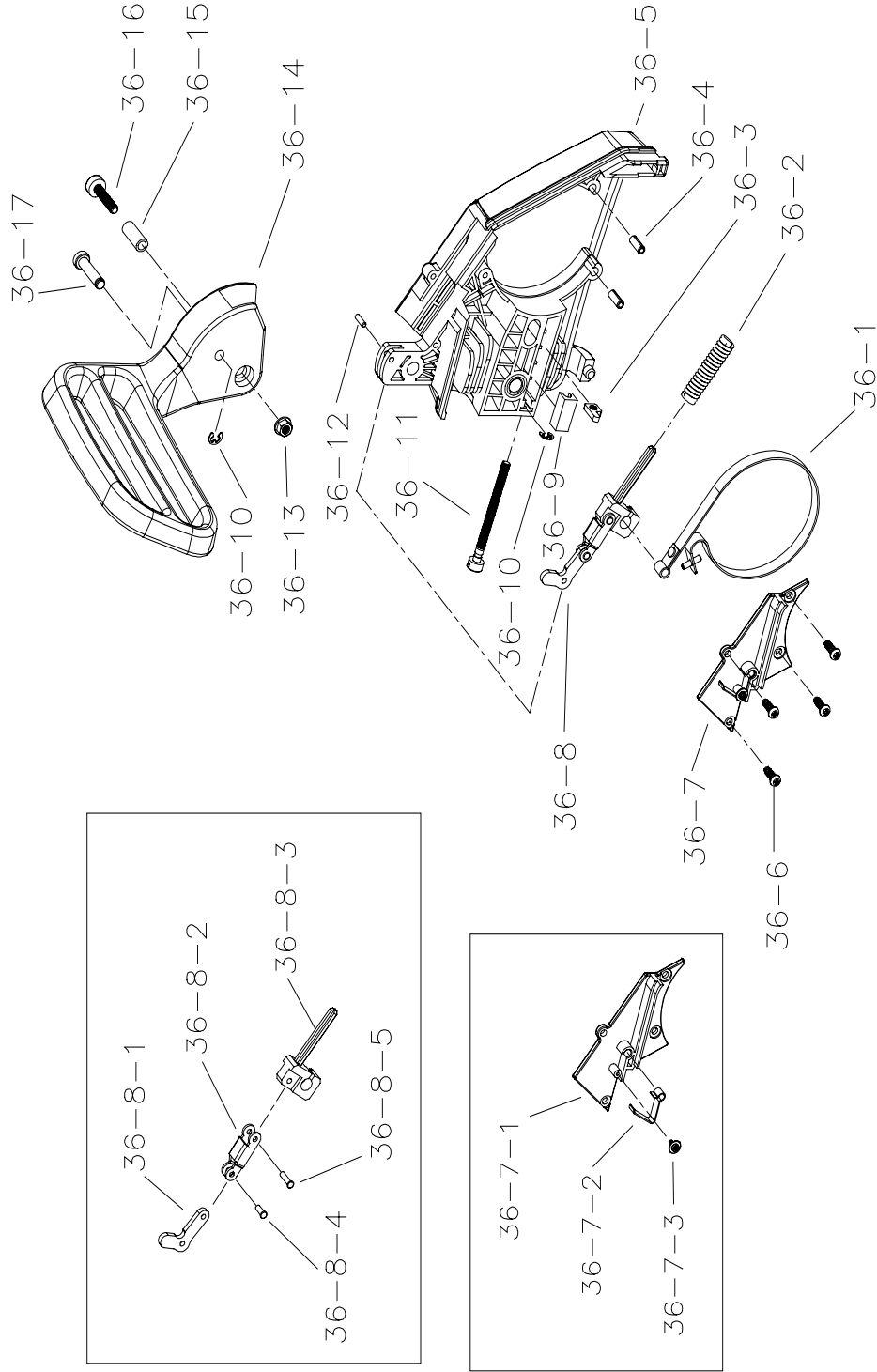
| No. | Parts No. | Q.ty |
|---------------------|---------------------|----------|
| 47-1 | 9017-310504 | 1 |
| 47-2 | 9207-310505 | 1 |
| 47-3 | 9104-310501 | 1 |
| 47-4 | 9207-310503 | 1 |
| 47-5 | 9207-310501 | 1 |
| 47-6 | 9158-310501 | 1 |
| 47-7 | 9017-310505 | 1 |
| 47-8 | 9106-310501 | 1 |
| 47-9 | 9017-310501 | 1 |
| 47-10 | 6SDABB3.5-10 | 2 |
| 47-11 | 9SFAZJ06-70 | 2 |
| 47-1 ÷ 47-11 | 9228-310501 | 1 |

ASSIEME COMPLETO

BRAKE KIT ASS'Y

Cod. 9228-310501

**LISTA PARTI DI RICAMBIO
SPARE PARTS LIST**



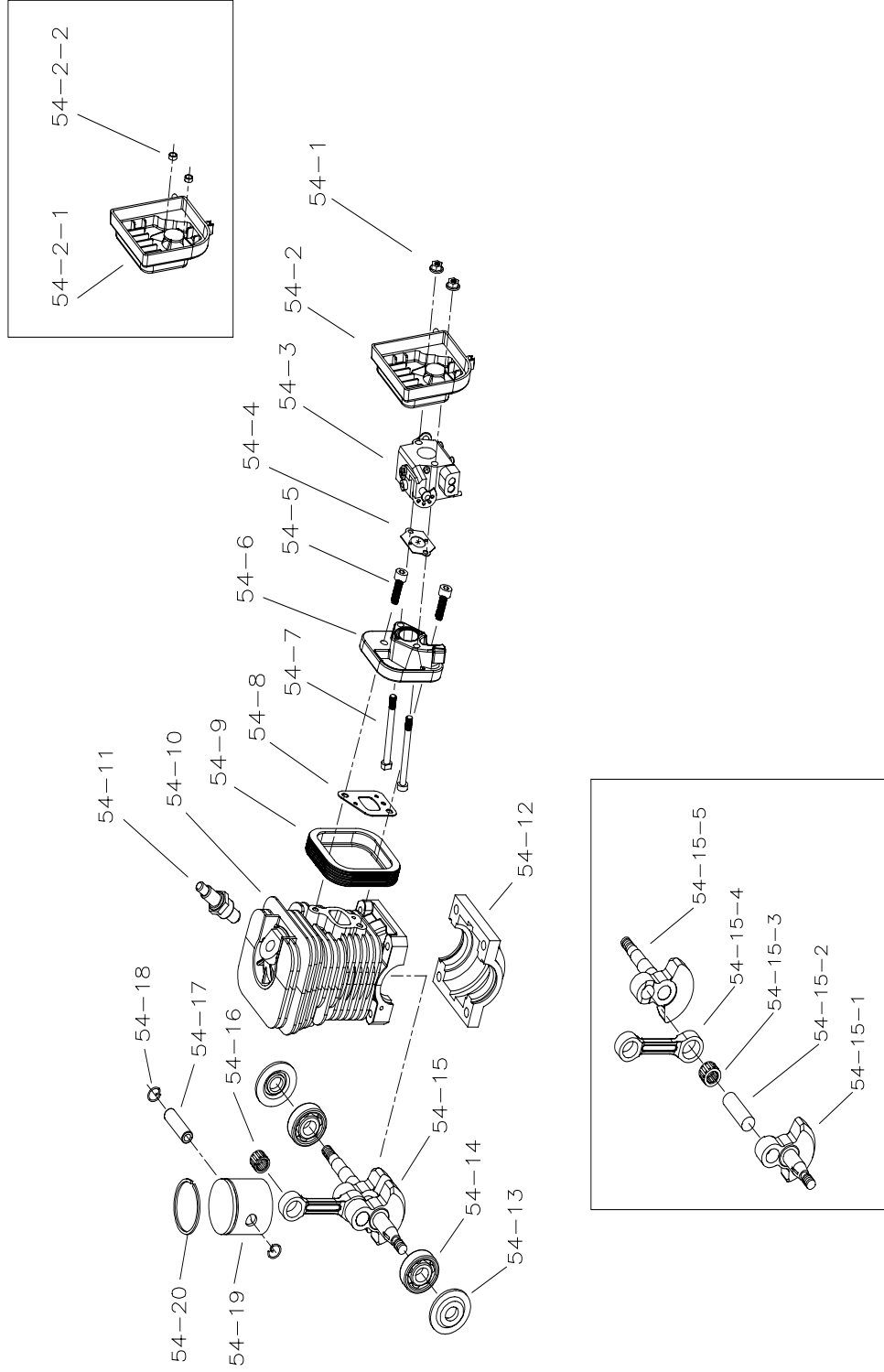
| No. | Parts No. | Qty |
|--------|-------------|-----|
| 36-1 | 9228-310508 | 1 |
| 36-2 | 9024-310501 | 1 |
| 36-3 | 9043-310502 | 1 |
| 36-4 | 9PA-4-8-13 | 2 |
| 36-5 | 9017-310501 | 1 |
| 36-6 | 6SDABB04-08 | 4 |
| 36-7 | 9228-310509 | 1 |
| 36-7-1 | 9017-310511 | 1 |
| 36-7-2 | 9024-310502 | 1 |
| 36-7-3 | 9SLAZB2.5-6 | 1 |
| 36-8 | 9228-310506 | 1 |
| 36-8-1 | 9055-310501 | 1 |
| 36-8-2 | 9175-310501 | 1 |
| 36-8-3 | 9055-310502 | 1 |
| 36-8-4 | 9111-310506 | 1 |
| 36-8-5 | 9111-310507 | 1 |
| 36-9 | 9013-310502 | 1 |
| 36-10 | 9CE-04 | 2 |
| 36-11 | 9191-310501 | 1 |
| 36-12 | 9111-310502 | 1 |
| 36-13 | 9NHZ-05 | 1 |
| 36-14 | 9263-310501 | 1 |
| 36-15 | 9124-310502 | 1 |
| 36-16 | 9SRCB-05-25 | 1 |
| 36-17 | 9111-310501 | 1 |

ASSIEME COMPLETO

ENGINE ASS'Y

Cod. 9228-310512

**LISTA PARTI DI RICAMBIO
SPARE PARTS LIST**



| No. | Parts No. | Qty |
|---------|--------------|-----|
| 54-1 | 9NHZ-05 | 2 |
| 54-2 | 9228-310510 | 1 |
| 54-2-1 | 9024-310505 | 1 |
| 54-2-2 | 9124-310208 | 2 |
| 54-3 | 9287-310501 | 1 |
| 54-4 | 9082-310506 | 1 |
| 54-5 | 9SACB-06-20 | 2 |
| 54-6 | 9082-310504 | 1 |
| 54-7 | 9STDB-05-60 | 2 |
| 54-8 | 9082-310505 | 1 |
| 54-9 | 9012-310502 | 1 |
| 54-10 | 99292-310501 | 1 |
| 54-11 | 9295-310501 | 1 |
| 54-12 | 9072-310501 | 1 |
| 54-13 | 9157-310502 | 2 |
| 54-14 | 9DB-620101 | 2 |
| 54-15 | 9228-310505 | 1 |
| 54-15-1 | 9127-310501 | 1 |
| 54-15-2 | 9127-310502 | 1 |
| 54-15-3 | 9PC-12-36 | 1 |
| 54-15-4 | 9175-310502 | 1 |
| 54-15-5 | 9NB-K121610 | 1 |
| 54-16 | 9NB-K101410 | 1 |
| 54-17 | 9PC-10-34.5 | 1 |
| 54-18 | 9CA-0.46 | 2 |
| 54-19 | 9290-310501 | 1 |
| 54-20 | 9189-310501 | 1 |